



MT600 | Manual Hydraulic Operating table

MT 600 is widely used in multiple surgery disciplines. Table design adopted Europeanism precise appearance. Matte surface premium 304 stainless steel are anti-corrosion and anti-rust. Central controlled large castors enables free wheeling without noise. Individual leg plates and back plate are controlled by gas spring for convenient operation. Key parts are imported from Germany.



STANDARD ACCESSORIES

Anesthetic Screen	1 Piece
Operated Handle	1 Piece
Shoulder Support	1 Pair
Body Support	1 Pair
Arm Support	1 Pair
Long Fixing Clamp	1 Pair
Knee Crutch	1 Pair
Foot Plate	1 Pair
Fixing Clamp	8 Pieces
Mattress	1 Set



YOUR IDEAL OPERATING TABLE SUPPLIER



YOUR IDEAL OPERATING TABLE SUPPLIER
MEET THE VARIOUS REQUIREMENTS OF GENERAL SURGERY

MT600 Manual Hydraulic Operating table



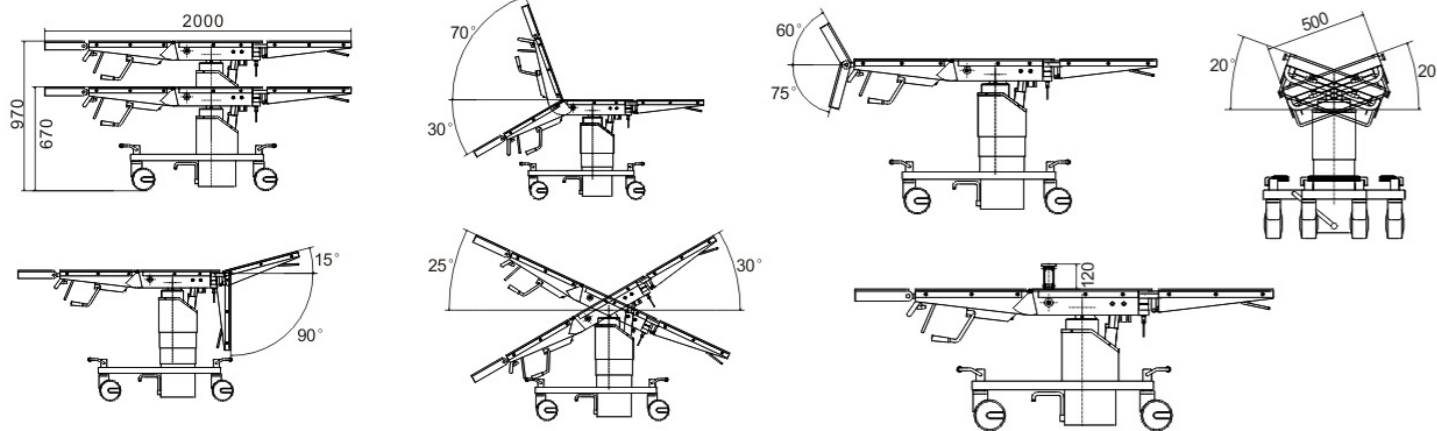
CONTACT

Z.A.C du BOIS MOUSSAY , 10 Avenue du
colonel ROL-TANGUY - 93240 STAINS FRANCE
Tel: +33149988672, +33953341938
Fax: +33149988672 - Mob: +33678621481
socimed@socimed.com



MT600 Manual Hydraulic Operating table

MT600 operation position sketch

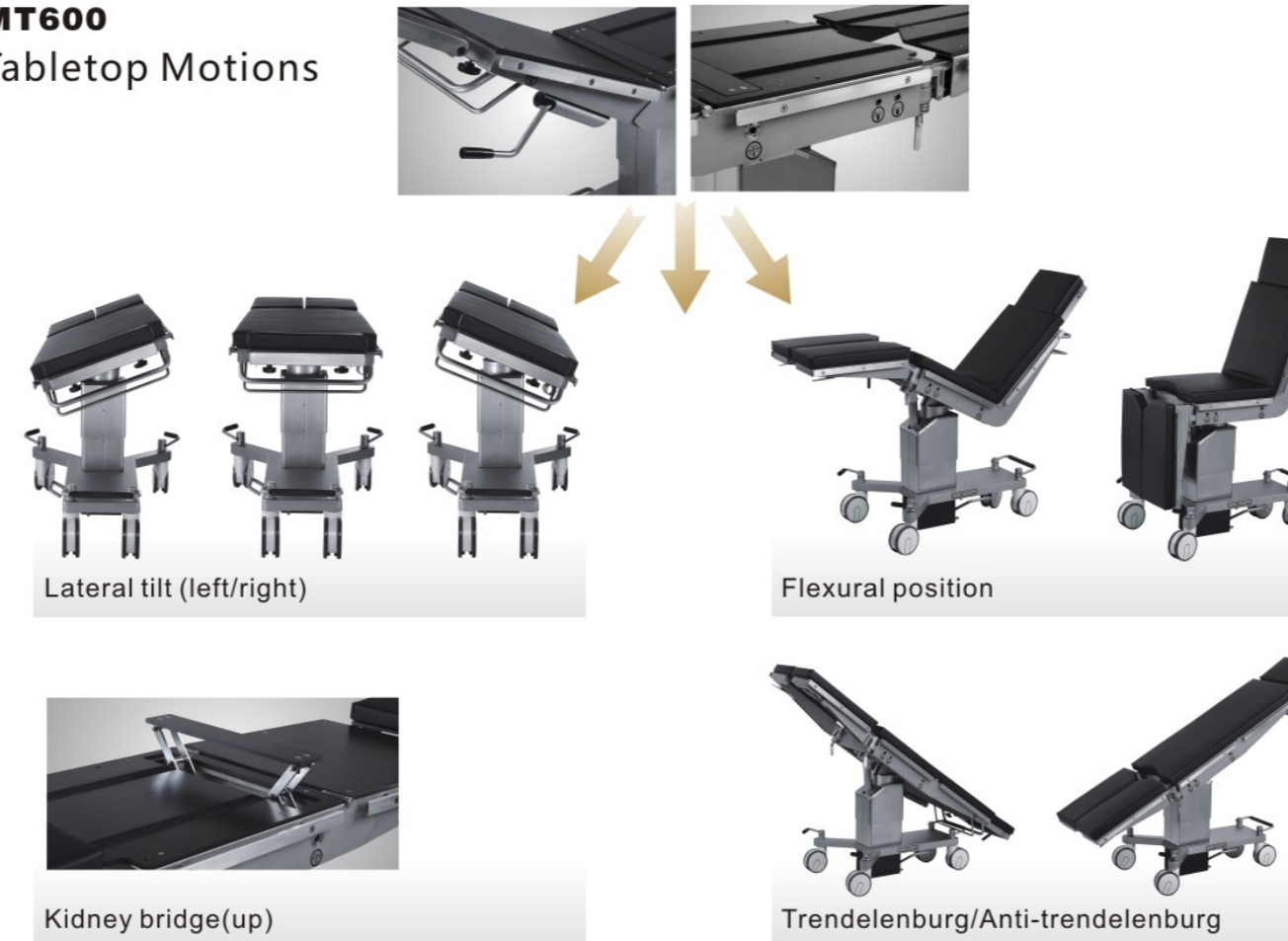


Main Technical Data

Parameters may have reasonable error.

MT600 Manual Hydraulic Operating table	
Length and width for tabletop	≥2000/≥500mm
Elevation(down/up)	≤670/≥970mm
Trendelenburg/Anti-trendelenburg	≥30°/≥25°
Lateral tilt(left/right)	≥20°/≥20°
Head plate(up/down)	≥60°/≥75°
Back palte(up/down)	≥70°/≥30°
Leg plate(up/down/outward)	≥15°/≥90°/≥90°
Kidney bridge(up)	≥120mm
Maximum load capacity	≥180 Kg

MT600 Tabletop Motions



Kidney bridge(up)

Trendelenburg/Anti-trendelenburg

MT600 Gas spring Back plate(up/down)



MT600 Gas spring Leg Plate



MT600 Tabletop Elevation



MT600 Optional Orthopedic Traction Frame

